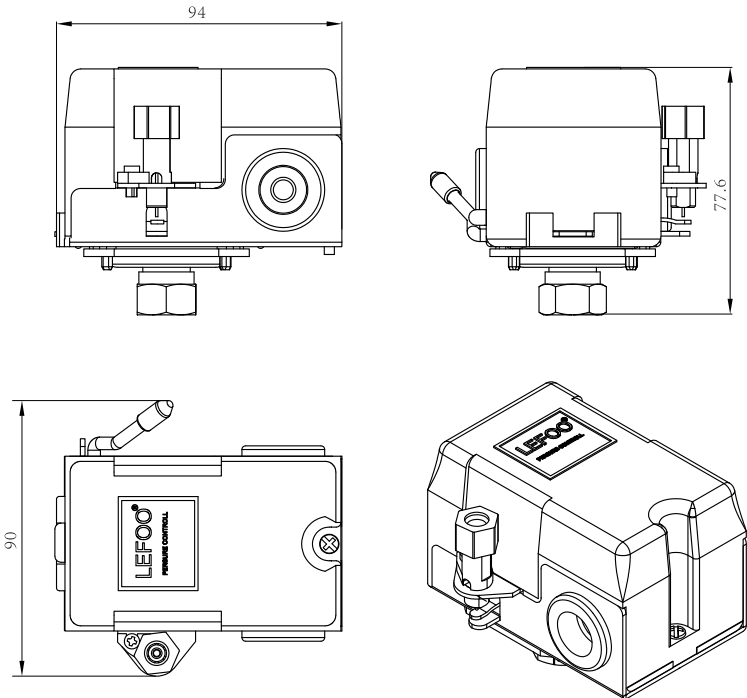
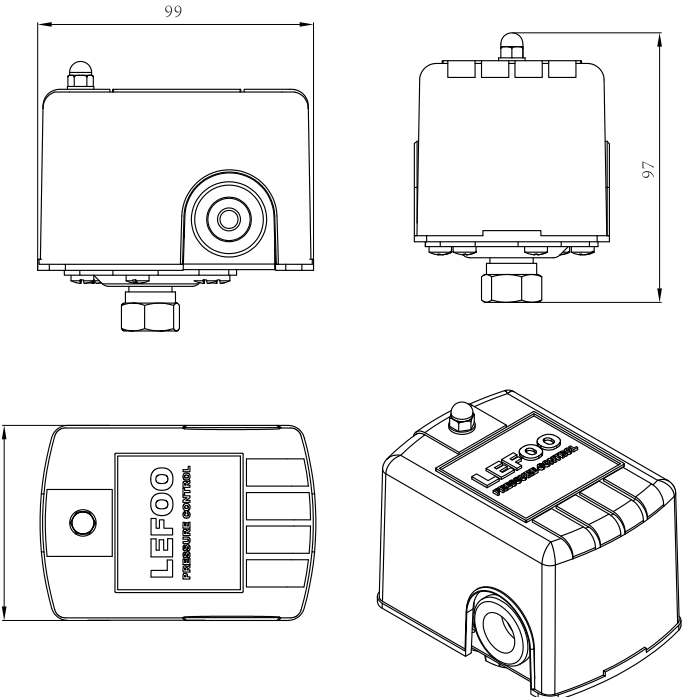


**LF10**



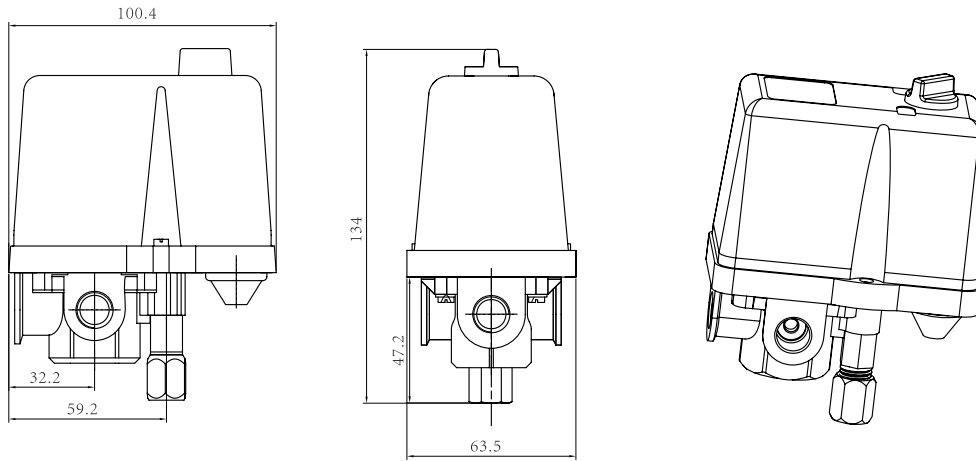
Dimension in:mm

**LF16**



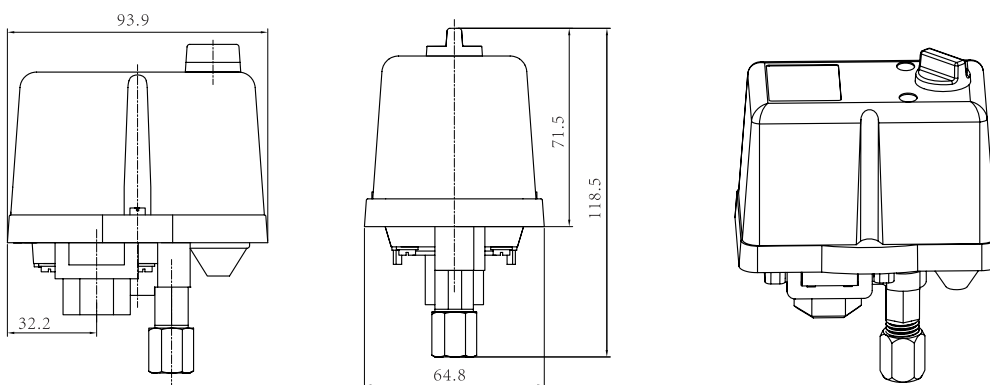
Dimension in:mm

**LF18**



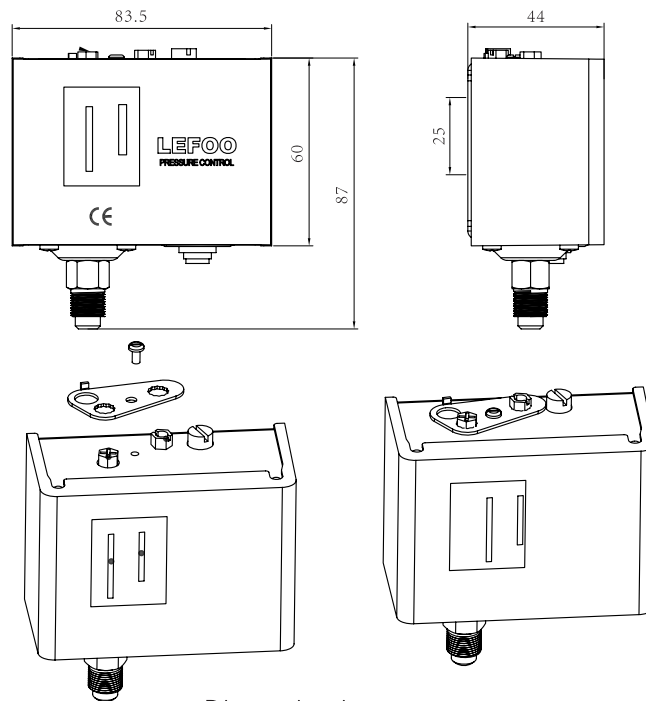
Dimension in:mm

**LF19**



Dimension in:mm

**LF55**



Dimension in:mm