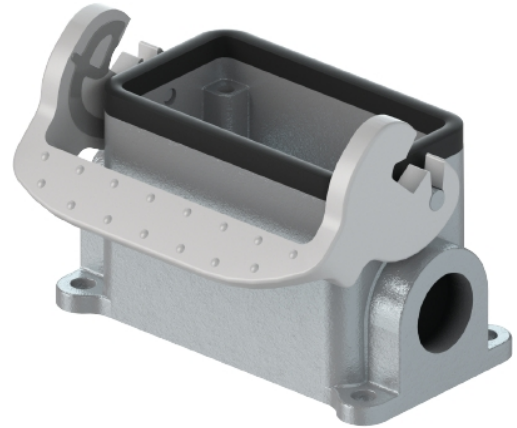


## Data sheet

Commercial Art.No.: 71.331.1035.1

bottom BAS GUT GM 10 M20 A1

Bottom-base revos basic made of aluminum, with single locking lever and threaded hole M20 on the left side, low version, 10-polig



Commercial Art.No.	71.331.1035.1
EAN	4015573621817
Order Unit	1

certificates / approvals



## Technical data

### general

housing material	aluminum
color	grey
surface	with powder coating
degree of protection (IP)	other
UV resistant	yes
flammability class of insulation material acc. with UL94	other
operating temperature range min.	-40 °C
operating temperature range max.	120 °C

### model

construction	10
model of the housing	surface mounting (base)
locking mechanism	single locking lever
cable entry	sideways
type of cable	thread
with cable screw gland	no
thread size M	20
thread size PG	
hinged lid	no
EMC-version	no
length	94 mm
width	52 mm
height	55 mm

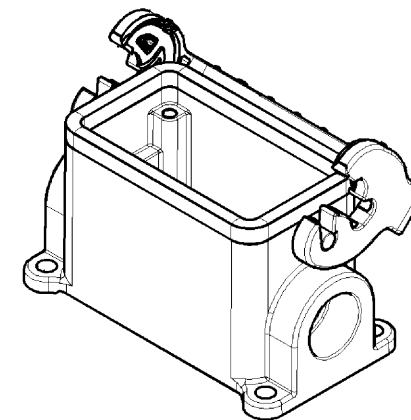
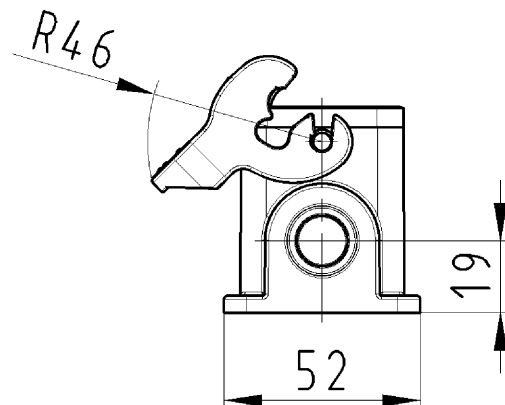
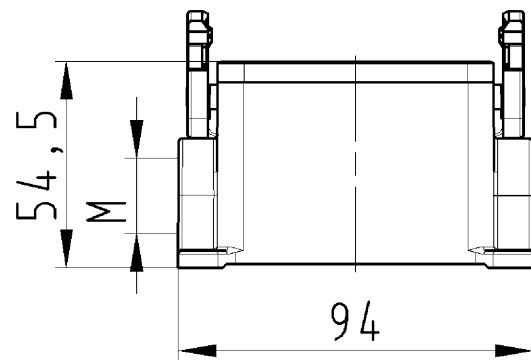
### classification

ECLASS 11	
-----------	--

ECLASS 8.1	27440202
ETIM 9.0	EC000437
ETIM 8.0	EC000437
ETIM 7.0	EC000437
ETIM 6.0	EC000437
ETIM 5.0	EC000437
ETIM 4.0	EC000437
ETIM 3.0	EC000437

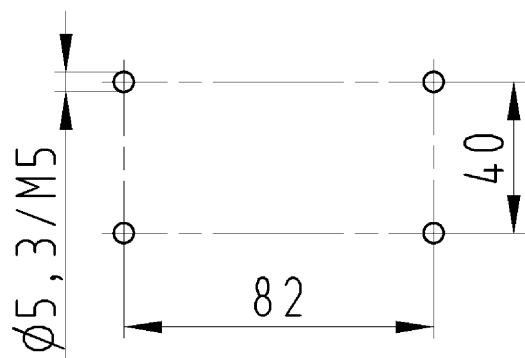
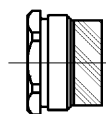
**product compliance**

ROHS conformity status	compliant
REACH-SVHC conformity status	compliant



Varianten/Variants

.0



Bohrbild  
/Cut out

71.331.1035.1	BAS GUT GM 10 M25 A 1	M25 M20	Gewindebohrung /Thread hole	X
71.331.1035.0	BAS GUT GM 10 M25 A 0	M25 M20	Kabelverschraubung(KV), IP54 montiert /Cable gland(CG), IP54 assembled	
Bestellnummer /Order number	Typ /Type	Varianten /Variants		dar- gestellt /drawn
Weitere Daten siehe KATALOG oder eKatalog. Additional data see CATALOG or eCatalog.			www.wieland-electric.com eshop.wieland-electric.com	

Tolerierung Size ISO 14405 (E) / Tolerance system Size ISO 14405 (E). (This ISO-standard describes the envelope principle. According to the envelope principle the deviations of form and parallelism are limited by the size tolerances).				ja/yes <input checked="" type="checkbox"/> Stoffverbots- und Deklarationsliste nach UU-TQM-05/03 ist einzuhalten. Conformity with Wieland document UU-TQM-05/03 (list of prohibited / declarable hazardous substances) to be declared!			
Freitoleranz nach General tolerance		CAD - Zeichnung, keine manuellen Änderungen CAD - drawing, no manual modifications allowed		1. Verwendung: First Use: -		Blatt: 1 von 1 Sheet: of 1	
		Werkstoff/Material Aluminium beschichtet/ coated grau/grey		2013 Tag/Date gezeichnet drawn 25.06. Treschan		Name Treschan	
		Maßstab/Scale 1:2		geprüft checked -		Zeichnung Nr./Drawing No. 71.331.1035.0 13K	
		Vol. mm <sup>3</sup> / Ofl./Surf. mm <sup>2</sup>		Normgepr. Stand. check -		Index Maße in mm/Dimensions are in mm	
		Ersatz für/Replacement for: -		Type revos		Benennung/Titel GEHAEUSEUNTERTEIL	
Index Datum / Blatt Date / Sheet		wieland Elektrische Verbindungen		Type BASIC		Baugröße 10-Kabelabgang 1xM20/M25 links Housing size 10-cable outlet 1xM20/M25 left	
Änderung/Revision							

Weitergabe sowie Vervielfältigung dieses Dokuments, Verwertung und Mitteilung  
 seines Inhalts sind verboten, soweit nicht ausdrücklich gestattet.  
 The reproduction, distribution and utilization of this document as well as the  
 communication of its contents to others without express authorization is prohibited.

713311035013K\_2\_CADW/3028\_Treschan 2013-09-20T13:23:39 1.000