



ElectroMechanica Line and Load Offering



Motor Rating (kW)	Rated Current (A)	4% Inductance (mH)	Display Name/Code	Detailed Description	Reactor Type	Type	Voltage	Dimensions						Weight (Kg)	Terminal Type
								Width (A)	Depth (B)	C	D	Height (E)	F		
1.5	3.5	8.5	EIR003A0850	1.5kW AC IP REACTOR 400V 4A	Line Reactor	Input	3 ~ 400V	120	75	100	50	120	10	1,8	X
2.2	5	5.9	EIR005A0590	2.2kW AC IP REACTORS 400V 6A	Line Reactor	Input	3 ~ 400V	120	75	100	50	120	10	2,6	X
4	8.5	3.5	EIR008A0350	4kW AC IP REACTORS 400V 10A	Line Reactor	Input	3 ~ 400V	150	80	110	55	150	15	3,2	X
5.5	12	2.6	EIR012A0260	5.5kW AC IP REACTORS 400V 12A	Line Reactor	Input	3 ~ 400V	150	90	110	60	145	15	4,5	X
7.5	16	1.9	EIR016A0190	7.5kW AC IP REACTORS 400V 16A	Line Reactor	Input	3 ~ 400V	150	90	110	60	175	15	4,8	X
11	22	1.34	EIR022A0134	11kW AC IP REACTORS 400V 22A	Line Reactor	Input	3 ~ 400V	150	90	110	70	185	15	5,5	X
15	30	1.00	EIR030A0100	15kW AC IP REACTORS 400V 30A	Line Reactor	Input	3 ~ 400V	180	115	150	60	160	15	6,5	Y
18.5	37	0.80	EIR037AP800	18.5kW AC IP REACTORS 400V 37A	Line Reactor	Input	3 ~ 400V	180	100	150	60	160	15	6,5	Y
22	44	0.67	EIR044AP670	22kW AC IP REACTORS 400V 44A	Line Reactor	Input	3 ~ 400V	180	120	150	70	160	15	8,7	Y
30	60	0.49	EIR060AP490	30kW AC IP REACTORS 400V 60A	Line Reactor	Input	3 ~ 400V	240	140	200	85	185	20	12,5	Y
37	72	0.40	EIR072AP400	37kW AC IP REACTORS 400V 72A	Line Reactor	Input	3 ~ 400V	240	160	200	95	210	20	18	Y
45	85	0.35	EIR085AP350	45kW AC IP REACTORS 400V 85A	Line Reactor	Input	3 ~ 400V	240	170	200	100	210	20	18,5	Z
55	105	0.28	EIR105AP280	55kW AC IP REACTORS 400V 105A	Line Reactor	Input	3 ~ 400V	240	170	200	100	210	20	19	Z
75	140	0.21	EIR140AP210	75kW AC IP REACTORS 400V 140A	Line Reactor	Input	3 ~ 400V	300	170	240	120	260	20	27.5	Z
90	170	0.17	EIR170AP170	90 kW AC IP REACTORS 400V 170A	Line Reactor	Input	3 ~ 400V	300	190	250	115	265	20	30	Z
110	205	0.14	EIR205AP140	110kW AC IP REACTORS 400V 205A	Line Reactor	Input	3 ~ 400V	300	210	225	130	260	20	34	Z
132	245	0.12	EIR245AP120	132kW AC IP REACTORS 400V 260A	Line Reactor	Input	3 ~ 400V	300	215	225	135	260	20	38,5	Z
160	295	0.10	EIR295AP100	160kW AC IP REACTORS 400V 320A	Line Reactor	Input	3 ~ 400V	360	210	290	125	310	25	46	Z
185	340	0.086	EIR340AP086	185kW AC IP REACTOR 400V 340A	Line Reactor	Input	3 ~ 400V	390	230	290	140	310	25	60	W
200	370	0.079	EIR370AP079	200kW AC IP REACTOR 400V 370A	Line Reactor	Input	3 ~ 400V	360	235	300	145	320	25	55	W
250	460	0.064	EIR460AP064	250kW AC IP REACTOR 400V 460A	Line Reactor	Input	3 ~ 400V	440	255	350	150	440	20	82	W
315	580	0.050	EIR580AP050	315kW AC IP REACTOR 400V 580A	Line Reactor	Input	3 ~ 400V	440	275	350	150	430	20	85	W
350	636	0.046	EIR636AP046	350kW AC IP REACTOR 400V 636A	Line Reactor	Input	3 ~ 400V	440	280	350	160	480	20	110	W
400	710	0.042	EIR710AP042	400kW AC IP REACTOR 400V 710A	Line Reactor	Input	3 ~ 400V	440	280	350	160	480	20	110	W
450	800	0.037	EIR800AP037	450kW AC IP REACTOR 400V 800A	Line Reactor	Input	3 ~ 400V	470	290	400	160	475	20	115	W
500	880	0.034	EIR880AP034	500kW AC IP REACTOR 400V 880A	Line Reactor	Input	3 ~ 400V	520	320	400	170	550	20	145	W
600	1050	0.028	EIR1050AP028	600kW AC IP REACTOR 400V 1050A	Line Reactor	Input	3 ~ 400V	520	320	400	170	550	20	155	W
700	1250	0.024	EIR1250AP024	700kW AC IP REACTOR 400V 1250A	Line Reactor	Input	3 ~ 400V	520	330	400	170	580	20	176	W
800	1450	0.020	EIR1450AP020	800kW AC IP REACTOR 400V 1450A	Line Reactor	Input	3 ~ 400V	520	340	400	190	580	20	186	W



ElectroMechanica Line and Load Offering



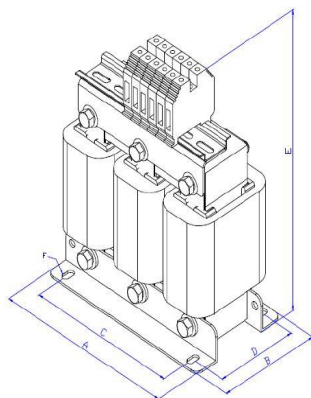
Motor Rating (kW)	Rated Current (A)	1.2% Inductance (mH)	Display Name/ Code	Detailed Description	Reactor Type	Type	Voltage	Dimensions						Weight (Kg)	Terminal Type
								Width (A)	Depth (B)	C	D	Height (E)	F		
1.5	3	2,6	EOR003A0260	1.5KW AC OP REACTOR 400V 4A	Load Reactor	Output	3 ~ 400V	120	60	100	40	135	10	1,7	X
2.2	5	1,8	EOR005A0180	2.2kW AC OP REACTORS 400V 5A	Load Reactor	Output	3 ~ 400V	120	70	100	50	135	10	2,3	X
4	8	1,05	EOR008A0105	4kW AC OP REACTORS 400V 8.5A	Load Reactor	Output	3 ~ 400V	120	70	100	40	135	15	1,8	X
5.5	12	0,80	EOR012AP800	5.5kW AC OP REACTORS 400V 12A	Load Reactor	Output	3 ~ 400V	120	60	100	50	135	10	2,4	X
7.5	16	0,63	EOR016AP630	7.5kW AC OP REACTORS 400V 16A	Load Reactor	Output	3 ~ 400V	150	80	110	55	185	15	3,8	X
11	22	0,40	EOR022AP400	11kW AC OP REACTORS 400V 22A	Load Reactor	Output	3 ~ 400V	150	75	110	55	185	15	3,6	X
15	30	0,30	EOR030AP300	15kW AC OP REACTORS 400V 30A	Load Reactor	Output	3 ~ 400V	150	115	110	70	130	15	5	Y
18.5	37	0,24	EOR037AP240	18.5kW AC OP REACTORS 400V 37A	Load Reactor	Output	3 ~ 400V	180	125	145	55	160	10	6	Y
22	44	0,22	EOR044AP220	22kW AC OP REACTORS 400V 44A	Load Reactor	Output	3 ~ 400V	180	90	150	70	160	15	6,8	Y
30	60	0,15	EOR060AP150	30kW AC OP REACTORS 400V 60A	Load Reactor	Output	3 ~ 400V	180	140	150	75	160	15	8,5	Y
37	72	0,13	EOR072AP130	37kW AC OP REACTORS 400V 72A	Load Reactor	Output	3 ~ 400V	240	130	200	85	18	20	11	Y
45	85	0,11	EOR085AP110	45kW AC OP REACTORS 400V 85A	Load Reactor	Output	3 ~ 400V	240	140	200	80	175	20	11,5	Y
55	105	0,09	EOR105AP090	55kW AC OP REACTORS 400V 105A	Load Reactor	Output	3 ~ 400V	240	160	200	85	180	20	13	Y
75	140	0,07	EOR140AP070	75kW AC OP REACTORS 400V 140A	Load Reactor	Output	3 ~ 400V	240	160	200	95	240	20	19	Z
90	170	0.052	EOR170AP052	90kW AC OP REACTORS 400V 170A	Load Reactor	Output	3 ~ 400V	240	160	200	100	240	20	20	Z
110	205	0.043	EOR205AP043	110kW AC OP REACTORS 400V 205A	Load Reactor	Output	3 ~ 400V	300	170	250	105	270	20	25	Z
132	245	0.036	EOR245AP036	132kW AC OP REACTORS 400V 245A	Load Reactor	Output	3 ~ 400V	300	170	250	105	270	20	25	Z
160	295	0.030	EOR295AP030	160kW AC OP REACTORS 400V 295A	Load Reactor	Output	3 ~ 400V	300	170	250	130	310	25	40	Z
185	340	0.026	EOR340AP026	185kW AC OP REACTORS 400V 340A	Load Reactor	Output	3 ~ 400V	360	180	290	130	310	25	40	W
200	370	0.024	EOR370AP024	200kW AC OP REACTORS 400V 370A	Load Reactor	Output	3 ~ 400V	360	220	290	115	315	25	41	W
250	460	0.020	EOR460AP020	250kW AC OP REACTORS 400V 460A	Load Reactor	Output	3 ~ 400V	360	220	275	125	365	25	49	W
315	580	0.016	EOR580AP016	315kW AC OP REACTORS 400V 580A	Load Reactor	Output	3 ~ 400V	360	230	290	125	395	25	55	W
350	636	0.014	EOR636AP014	350kW AC OP REACTORS 400V 636A	Load Reactor	Output	3 ~ 400V	420	240	350	140	480	20	81	W
400	710	0.013	EOR710AP013	400kW AC OP REACTORS 400V 710A	Load Reactor	Output	3 ~ 400V	400	250	350	140	420	20	64	W
500	880	0.010	EOR880AP010	500kW AC OP REACTORS 400V 880A	Load Reactor	Output	3 ~ 400V	420	250	350	155	440	22	88	W
600	1050	0.009	EOR1050AP009	600kW AC OP REACTORS 400V 1050A	Load Reactor	Output	3 ~ 400V	420	255	350	160	440	22	90	W
700	1250	0.007	EOR1250AP007	700kW AC OP REACTORS 400V 1250A	Load Reactor	Output	3 ~ 400V	420	255	350	160	520	22	100	W
800	1450	0.006	EOR1450AP006	800kW AC OP REACTORS 400V 1450A	Load Reactor	Output	3 ~ 400V	420	255	350	160	615	22	115	W



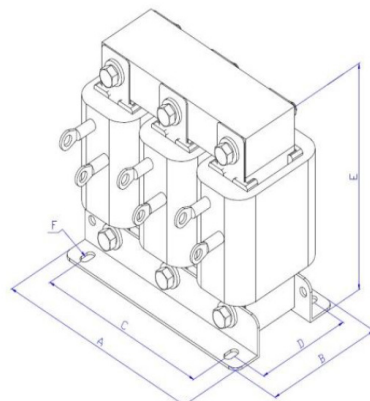
ElectroMechanica Line and Load Offering



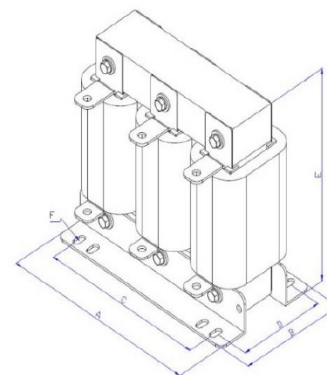
Motor Rating (kW)	Rated Current (A)	1.2% Inductance (mH)	Display Name/ Code	Detailed Description	Reactor Type	Type	Voltage	Dimensions						Weight (Kg)	Terminal Type
								Width (A)	Depth (B)	C	D	Height (E)	F		
7.5	11.9	0.97	EOR011AP970	7.5kW AC OP REACTORS 525V 11.9A	Load Reactor	Output	3 ~ 525V	O/R	O/R	O/R	O/R	O/R	O/R	O/R	O/R
11	16.7	0.69	EOR016AP690	11kW AC OP REACTORS 525V 16.7A	Load Reactor	Output	3 ~ 525V	O/R	O/R	O/R	O/R	O/R	O/R	O/R	O/R
15	22.5	0.51	EOR022AP510	15kW AC OP REACTORS 525V 22.5A	Load Reactor	Output	3 ~ 525V	O/R	O/R	O/R	O/R	O/R	O/R	O/R	O/R
18.5	28.5	0.41	EOR028AP410	18.5kW AC OP REACTORS 525V 28.5A	Load Reactor	Output	3 ~ 525V	O/R	O/R	O/R	O/R	O/R	O/R	O/R	O/R
22	33	0.35	EOR033AP350	22kW AC OP REACTORS 525V 33A	Load Reactor	Output	3 ~ 525V	O/R	O/R	O/R	O/R	O/R	O/R	O/R	O/R
30	44	0.26	EOR044AP260	30kW AC OP REACTORS 525V 44A	Load Reactor	Output	3 ~ 525V	O/R	O/R	O/R	O/R	O/R	O/R	O/R	O/R
37	54	0.21	EOR054AP210	37kW AC OP REACTORS 525V 54A	Load Reactor	Output	3 ~ 525V	O/R	O/R	O/R	O/R	O/R	O/R	O/R	O/R
45	64.5	0.18	EOR064AP180	45kW AC OP REACTORS 525V 64.5A	Load Reactor	Output	3 ~ 525V	O/R	O/R	O/R	O/R	O/R	O/R	O/R	O/R
55	79	0.15	EOR079AP150	55kW AC OP REACTORS 525V 79A	Load Reactor	Output	3 ~ 525V	O/R	O/R	O/R	O/R	O/R	O/R	O/R	O/R
75	106	0.11	EOR106AP110	75kW AC OP REACTORS 525V 106A	Load Reactor	Output	3 ~ 525V	O/R	O/R	O/R	O/R	O/R	O/R	O/R	O/R
90	128	0.09	EOR128AP090	90kW AC OP REACTORS 525V 128A	Load Reactor	Output	3 ~ 525V	O/R	O/R	O/R	O/R	O/R	O/R	O/R	O/R
110	156	0.07	EOR156AP070	110kW AC OP REACTORS 525V 156A	Load Reactor	Output	3 ~ 525V	O/R	O/R	O/R	O/R	O/R	O/R	O/R	O/R
132	186	0.06	EOR186AP060	132kW AC OP REACTORS 525V 186A	Load Reactor	Output	3 ~ 525V	O/R	O/R	O/R	O/R	O/R	O/R	O/R	O/R
160	220	0.05	EOR220AP050	160kW AC OP REACTORS 525V 220A	Load Reactor	Output	3 ~ 525V	O/R	O/R	O/R	O/R	O/R	O/R	O/R	O/R



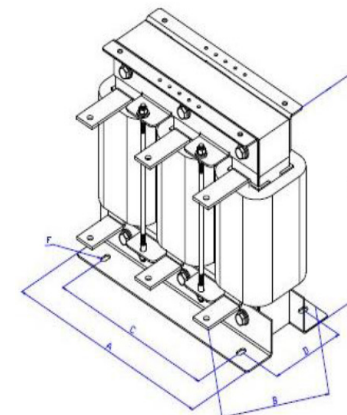
Terminal Type : X



Terminal Type : Y



Terminal Type : Z



Terminal Type : W