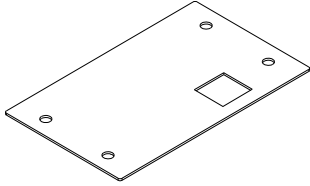
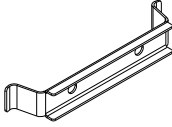
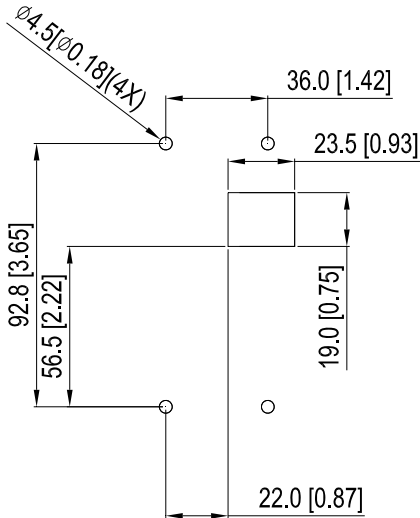
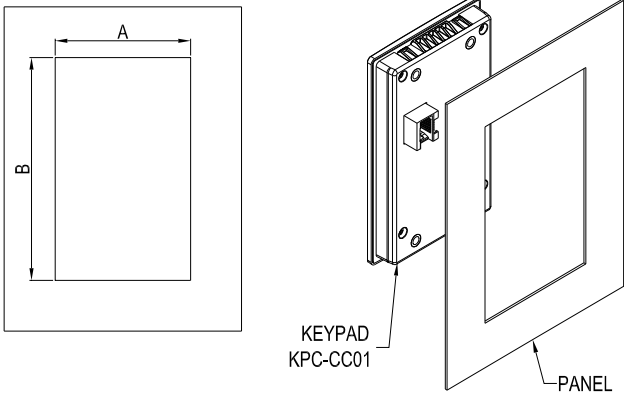


### 7-7 Panel Mounting (MKC-KPPK)

For MKC-KPPK model, user can choose wall mounting or embedded mounting, protection level is IP66.

Applicable to the digital keypads (KPC-CC01)

Wall Mounting	Embedded Mounting																								
<p>Accessories*1</p>  <p>Figure 7-80</p> <p>Screw *4 –M4*p 0.7 *L8mm Torque: 10–12 kg-cm / (8.7–10.4 lb-in.) / (1.0–1.2 Nm)</p>	<p>Accessories*2</p>  <p>Figure 7-83</p> <p>Screw *4 –M4*p 0.7 *L8mm Torque: 10–12 kg-cm / (8.7–10.4 lb-in.) / (1.0–1.2 Nm)</p>																								
<p>Panel cutout dimension</p> <p style="text-align: right;">Unit: mm (inch)</p>  <p>Figure 7-81</p>	<p>Panel cutout dimension</p> <p style="text-align: right;">Unit: mm (inch)</p>  <p>Figure 7-84</p> <p>Normal cutout dimension</p> <table border="1"> <thead> <tr> <th>Panel thickness</th> <th>1.2 mm</th> <th>1.6 mm</th> <th>2.0 mm</th> </tr> </thead> <tbody> <tr> <td>A</td> <td colspan="3">66.4 (2.614)</td> </tr> <tr> <td>B</td> <td>110.2 (4.339)</td> <td>111.3 (4.382)</td> <td>112.5 (4.429)</td> </tr> </tbody> </table> <p>*Deviation: ±0.15mm / ±0.0059inch <span style="float: right;">Table 7-85</span></p> <p>Cutout dimension (Waterproof level: IP66)</p> <table border="1"> <thead> <tr> <th>Panel thickness</th> <th>1.2 mm</th> <th>1.6 mm</th> <th>2.0 mm</th> </tr> </thead> <tbody> <tr> <td>A</td> <td colspan="3">66.4 (2.614)</td> </tr> <tr> <td>B</td> <td colspan="3">110.8 (4.362)</td> </tr> </tbody> </table> <p>*Deviation: ±0.15mm / ±0.0059inch <span style="float: right;">Table 7-86</span></p>	Panel thickness	1.2 mm	1.6 mm	2.0 mm	A	66.4 (2.614)			B	110.2 (4.339)	111.3 (4.382)	112.5 (4.429)	Panel thickness	1.2 mm	1.6 mm	2.0 mm	A	66.4 (2.614)			B	110.8 (4.362)		
Panel thickness	1.2 mm	1.6 mm	2.0 mm																						
A	66.4 (2.614)																								
B	110.2 (4.339)	111.3 (4.382)	112.5 (4.429)																						
Panel thickness	1.2 mm	1.6 mm	2.0 mm																						
A	66.4 (2.614)																								
B	110.8 (4.362)																								

Wall Mounting

Embedded Mounting

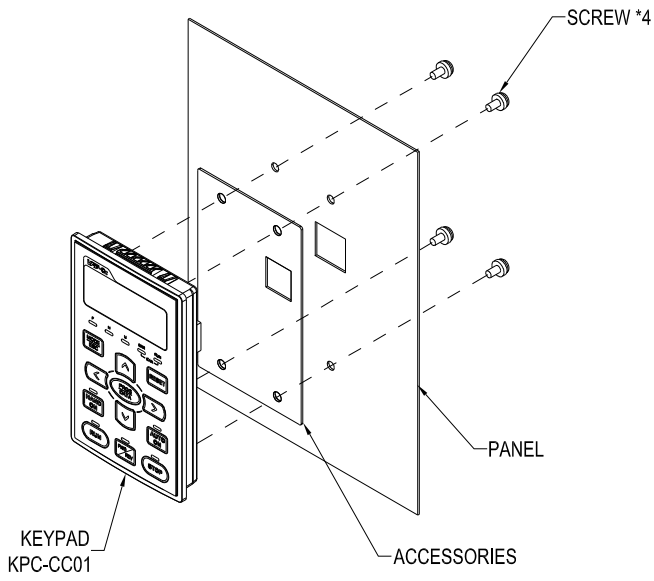


Figure 7-82

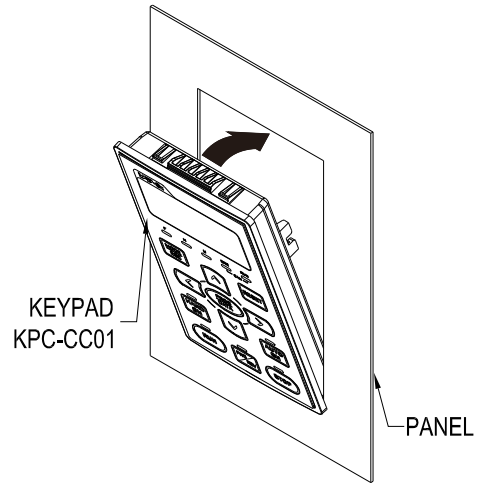


Figure 7-85

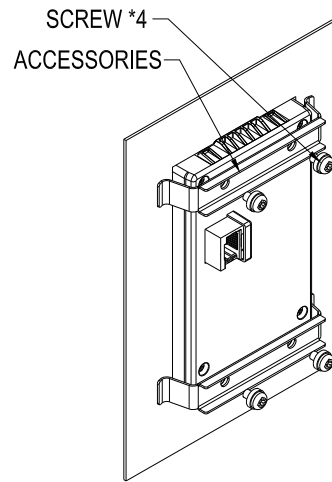


Figure 7-86

Table 7-84