

## Accessories and spare parts for signal towers and beacons



LT7 BP 01



LT7 BP 02



LT7 ALB...



LT7 ALL...

Order code	Description	Qty per pkg	Wt
		n°	[kg]

Fixing bases.

<b>8 LT7 BP 01</b>	Horizontal surface mount, plastic, black colour with 100mm extension	1	0.045
<b>8 LT7 BP 02</b>	Vertical wall mount, plastic, black colour	1	0.078

Extension tube for plastic base, stackable sections.

<b>8 LT7 TP 0100</b>	100mm, black colour	1	0.029
----------------------	---------------------	---	-------

Incandescent bulb, 5W, BA15d fitting.

<b>8 LT7 ALB A</b>	12VAC/DC	10	0.006
<b>8 LT7 ALB B</b>	24VAC/DC	10	0.006
<b>8 LT7 ALB E</b>	130VAC/DC	10	0.006
<b>8 LT7 ALB M</b>	260VAC/DC	10	0.006

LED bulb, BA15d fitting.

<b>8 LT7 ALL A4</b>	Red, 12VAC/DC	1	0.010
<b>8 LT7 ALL A8</b>	White, 12VAC/DC	1	0.010
<b>8 LT7 ALL B3</b>	Green, 24VAC/DC	1	0.010
<b>8 LT7 ALL B4</b>	Red, 24VAC/DC	1	0.010
<b>8 LT7 ALL B5</b>	Yellow/Orange, 24VAC/DC	1	0.010
<b>8 LT7 ALL B6</b>	Blue, 24VAC/DC	1	0.010
<b>8 LT7 ALL B8</b>	White, 24VAC/DC	1	0.010
<b>8 LT7 ALL E3</b>	Green, 110-120VAC	1	0.010
<b>8 LT7 ALL E4</b>	Red, 110-120VAC	1	0.010
<b>8 LT7 ALL E5</b>	Yellow/Orange, 110-120VAC	1	0.010
<b>8 LT7 ALL E6</b>	Blue, 110-120VAC	1	0.010
<b>8 LT7 ALL E8</b>	White, 110-120VAC	1	0.010
<b>8 LT7 ALL M3</b>	Green, 230-240VAC	1	0.010
<b>8 LT7 ALL M4</b>	Red, 230-240VAC	1	0.010
<b>8 LT7 ALL M5</b>	Yellow/Orange, 230-240VAC	1	0.010
<b>8 LT7 ALL M6</b>	Blue, 230-240VAC	1	0.010
<b>8 LT7 ALL M8</b>	White, 230-240VAC	1	0.010

Used with yellow or orange light modules.

**new**

## Accessories and spare parts for signal towers Ø70mm only



LT7 BM 01



LT7 BM 02



LT7 TM

Order code	Description	Qty per pkg	Wt
		n°	[kg]

Fixing bases.

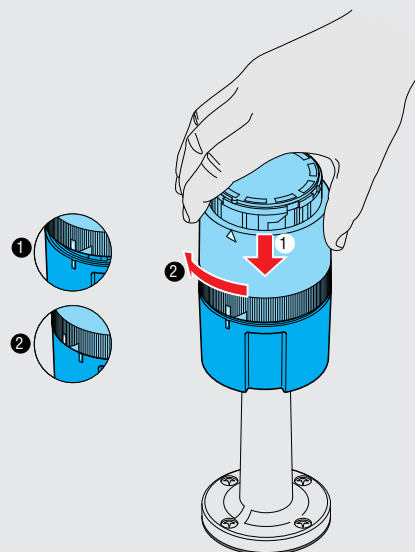
<b>8 LT7 BM 01</b>	Horizontal surface mount, metal, black finish	1	0.099
<b>8 LT7 BM 02</b>	Vertical wall mount, metal	1	0.184

Extension tubes for metal base, anodised aluminium, fixed non-stackable sections.

<b>8 LT7 TM 0100</b>	100mm	1	0.016
<b>8 LT7 TM 0150</b>	200mm	1	0.024
<b>8 LT7 TM 0300</b>	300mm	1	0.048
<b>8 LT7 TM 0400</b>	400mm	1	0.064
<b>8 LT7 TM 0500</b>	500mm	1	0.080
<b>8 LT7 TM 1000</b>	1000mm	1	0.160

## General characteristics

The assembly operation of the signal towers is simple and fast and does not require the use of any tools. The fixing of each element on top of the other is obtained by the bayonet insert joint, with slight pressure and simple rotating movement. There are specific white inscriptions to indicate the correct alignment.



## Technical characteristics

– Consumption of bulb fitted on light modules:

- LT7 ALB A: 420mA
- LT7 ALB B: 210mA
- LT7 ALB E: 43mA
- LT7 ALB M: 22mA
- LT7 ALL A...: <60mA
- LT7 ALL B...: <30mA
- LT7 ALL E...: <20mA
- LT7 ALL M...: <20mA.

## Reference standards

Compliant with standards: IEC/EN 60947-5-1, IEC/EN 60947-1, UL508, CSA C22.2 n° 14.