



Product designation			
Product type designation	Power contactor BF50		
Contact characteristics			
Number of poles	nr.	3	
Rated insulation voltage U_i	V	1000	
Rated impulse withstand voltage U_{imp}	kV	8	
Operating frequency	Operational frequency min	Hz	25
	Operational frequency max	Hz	400
	Conventional free air thermal current I_{th}	A	90
Operating current	Operational current AC1 ($\leq 40^\circ\text{C}$)	A	90
	Operational current AC3 ($\leq 440\text{V} \leq 55^\circ\text{C}$)	A	50
	Operational current AC4 (400V)	A	28
Rated operational power AC1 ($T \leq 40^\circ\text{C}$)	230V	kW	34
	400V	kW	59
	500V	kW	74
	690V	kW	102
Rated operational power AC3A ($T \leq 55^\circ\text{C}$)	Rated operational power AC3 ($T \leq 55^\circ\text{C}$) 230V	kW	15
	Rated operational power AC3 ($T \leq 55^\circ\text{C}$) 400V	kW	22
	Rated operational power AC3 ($T \leq 55^\circ\text{C}$) 415V	kW	30
	Rated operational power AC3 ($T \leq 55^\circ\text{C}$) 440V	kW	30
	Rated operational power AC3 ($T \leq 55^\circ\text{C}$) 500V	kW	30
	Rated operational power AC3 ($T \leq 55^\circ\text{C}$) 690V	kW	37
	Rated operational power AC3 ($T \leq 55^\circ\text{C}$) 1000V	kW	22
Short-time allowable current for 10s (IEC/EN60947-1)	A	400	
Protection fuse	gG (IEC)	A	100
	aM (IEC)	A	50
Making capacity (RMS value)	A	500	
Breaking capacity at voltage	Breaking capacity 440V	A	400
	Breaking capacity 500V	A	352
	Breaking capacity 690V	A	312
Resistance per pole (average value)	m Ω	0.8	
Power dissipation per pole (average value)	Power dissipation pole (average value) I_{th}	W	6.5
	AC3	W	2
Tightening torque for terminals	min	Nm	4
	max	Nm	5
	min	lbft	2.95
	max	lbft	3.69

Tightening torque for coil terminal

min	Nm	0.8
max	Nm	1
min	lbft	0.8
max	lbft	0.74

max number of wires simultaneously connectable

nr.	2
-----	---

Conductor section

AWG

min	14
max	2

Flexible w/o lug conductor section

min	mm ²	1.5
max	mm ²	35

Flexible c/w lug conductor section

min	mm ²	1.5
max	mm ²	35

Power terminal protection according to IEC/EN 60529

IP20 front

Auxiliary contact characteristics

Operational current AC1 (≤40°C)

A	90
---	----

Operating current DC13

110V	A	Screw / DIN rail 35mm
------	---	--------------------------

Ambient conditions

Temperature

Operating temperature

min	°C	-40
max	°C	70

Storage temperature

min	°C	-50
max	°C	80

Max altitude

m	3000
---	------

Operating position

normal allowable	Vertical plan ±30°
---------------------	-----------------------

Mounting

Screw / DIN rail
35mm

Weight

g	1.06
---	------

Operations

Mechanical life

Cycles	15000000
--------	----------

Electrical life

Cycles	1400000
--------	---------

Safety related data

Performance level B10d according to EN/ISO 13489-1

rated load	Cicli	1400000
mechanical load	Cicli	15000000

Mirror contacts according to IEC/EN 60947-4-1

yes

EMC compatibility

yes

AC coil operating

AC operating voltage

of 50/60Hz coil powered at 50Hz
pick-up

min	%Us	0.8
max	%Us	1.1

drop-out

		max	%Us	≤0.75 Us min
of 50/60Hz coil powered at 60Hz	pick-up			
		min	%Us	0.8
		max	%Us	1.1
	drop-out			
		max	%Us	0.75
AC operating voltage				
of 50/60Hz coil powered at 50Hz		in-rush	VA	40...130
		holding	VA	1.3...4.4
of 50/60Hz coil powered at 60Hz		in-rush	VA	40...130
		holding	VA	1.3...4.4
Dissipation at holding ≤20°C 50Hz			W	1...2.5
DC coil operating				
DC rated control voltage		min	V	20
DC operating voltage				
pick-up		min	%Us	0.8
		max	%Us	1.10
drop-out		min	%Us	0.2
		max	%Us	0.55
Average coil consumption ≤20°C		in-rush	W	60...125
		holding	W	1.7...2.3
Max cycles frequency				
Mechanical operations			Cycles/h	1500
Operating times				
Average time for Us control				
in AC				
	Closing NO	min	ms	12
		max	ms	28
	Opening NO	min	ms	8
		max	ms	22
in DC				
	Closing NO	min	ms	40
		max	ms	85
	Opening NO	min	ms	20
		max	ms	55
UL technical data				
Full-load current (FLA) for three-phase AC motor		at 480V	A	52
		at 600V	A	41
Yielded mechanical performance				
for single-phase AC motor		at 110/120V	hp	5
		at 230V	hp	10

for three-phase AC motor

at 200/208V	hp	15
at 220/230V	hp	20
at 460/480V	hp	40
at 575/600V	hp	40

General USE

Contactor

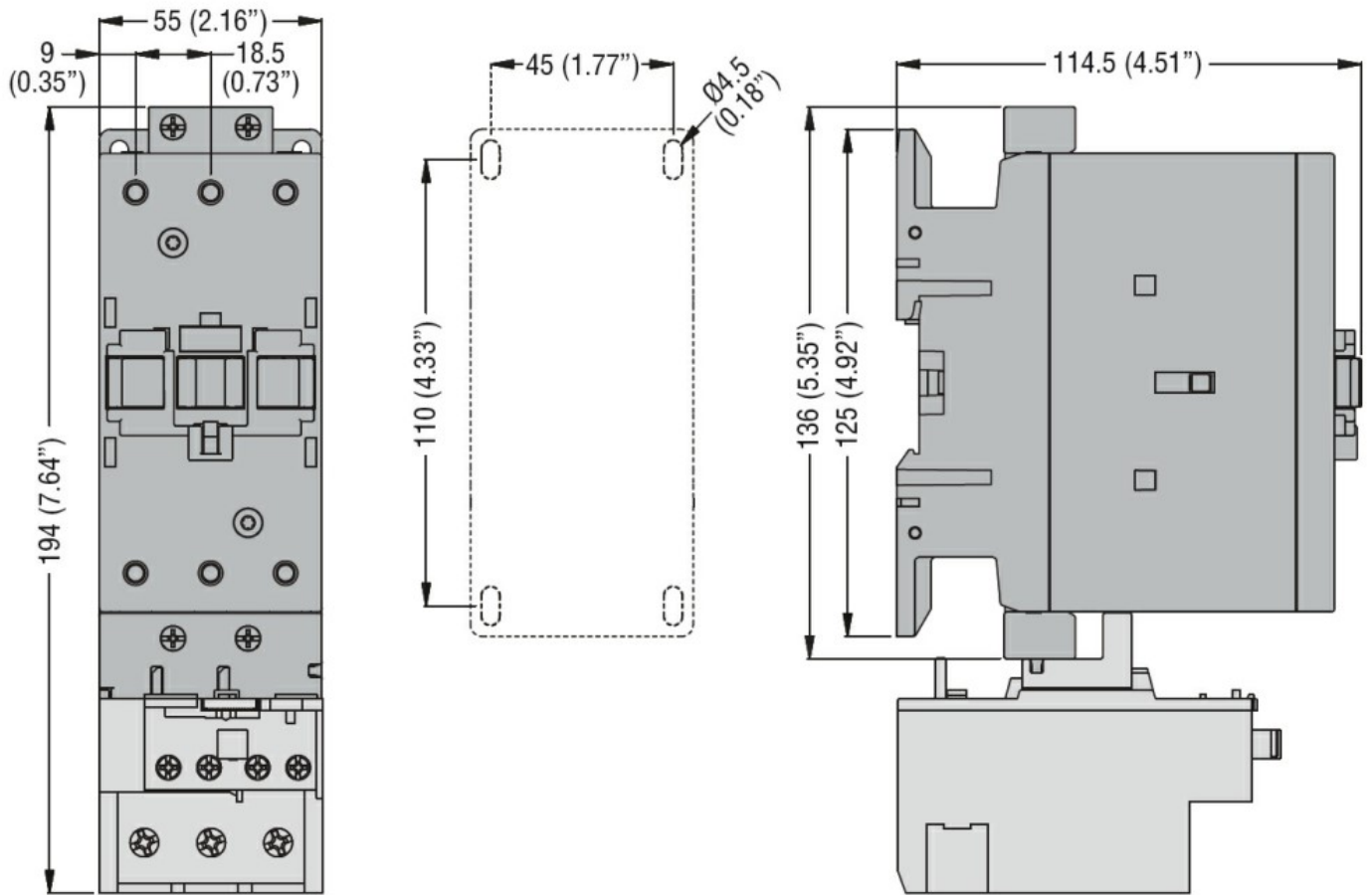
AC current	A	32
------------	---	----

Other features

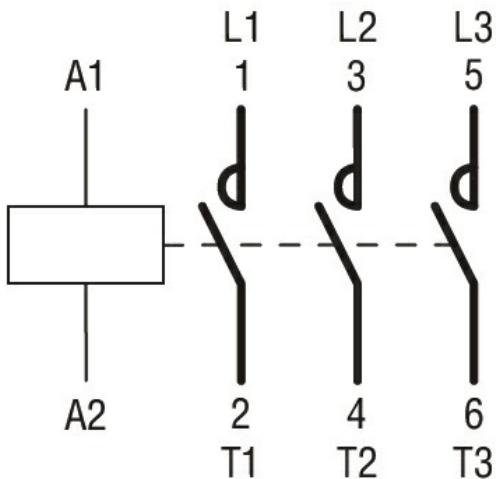
Pollution degree

3

Dimensions



Wiring diagrams



Certifications and compliance

Certifications

CSA C22.2 n° 60947-1

CSA C22.2 n° 60947-4-1

IEC/EN 60947-1

IEC/EN 60947-4-1

UL 60947-1

UL 60947-4-1

Compliance

CCC

cULus

ETIM 6 classification

EC000066 - Power contactor, AC switching